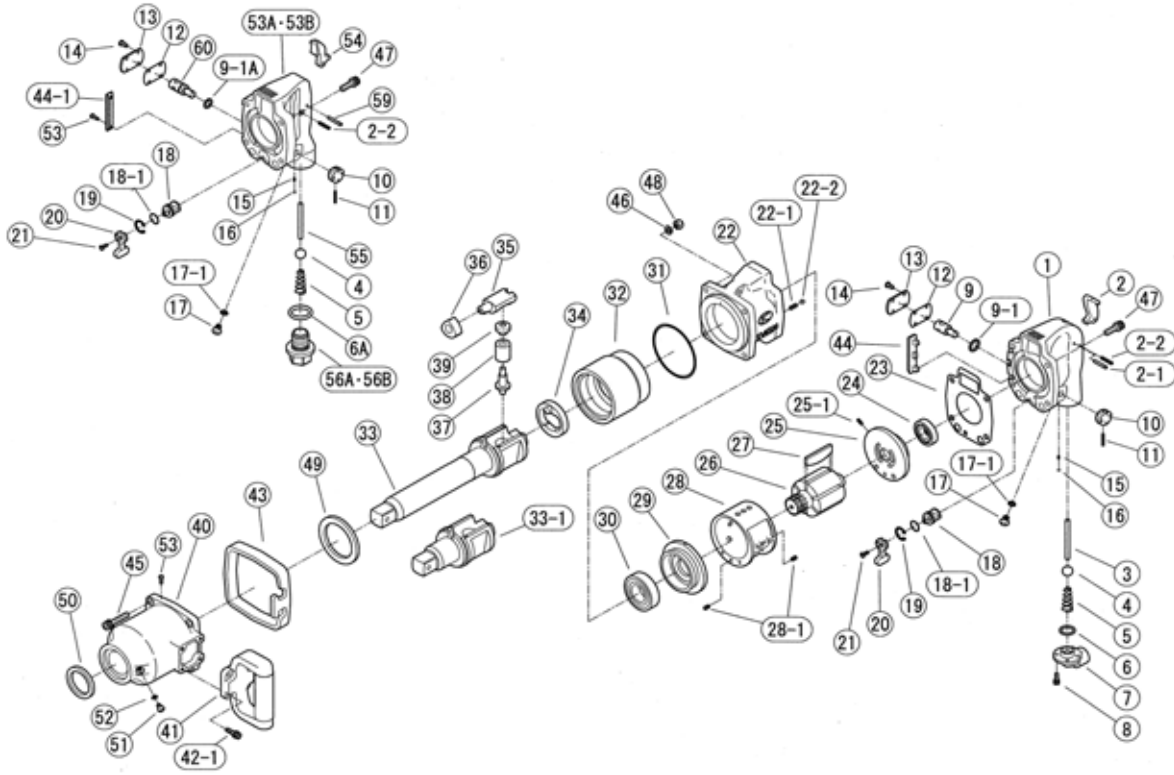


EXPLODED VIEW

# KW-4500G & GL



REF.NO.	PART NO.	PART NAME	Q'TY	REF.NO.	PART NO.	PART NAME	Q'TY
1	0132980	HANDLE C.P.	1	33	0545130A	ANVIL GL	1
2	0132117D	THROTTLE LEVER	1	33-1	0545030A	G-ANVIL	1
2-1	Z0614X26	PIN	1	33-2	05452841A	SPLINE ANVIL C.P.(GLS)	1
2-2	Z0584X22	SPRING PIN	1	33-3	05453841A	SPLINE ANVIL C.P.(GS)	1
3	0132911	THROTTLE VALVE PIN	1	33-4	Z040P26	O-RING	1
4	Z0115/8D	THROTTLE VALVE	1	33-5	0132202	RETAINER RING	1
5	0132190	THROTTLE SPRING	1	34	0545050	RETAINER	1
6	Z040P20	O-RING	1	35	0545028	ANVIL PIECE	1
7	0132919A	INLET BUSHING	1	36	0545027	CAM	1
8	Z0665X14A	BOLT	4	37	0545051B	PLUNGER A	1
9	0438013	REGULATOR VALVE	1	38	0545053A	SPRING	1
9-1	Z040P16J1	O-RING	1	39	0545052B	PLUNGER B	1
10	0442314	REGULATOR KNOB	1	40	0545182	IMPACT HOUSING C.P.	1
11	Z0563X22	PIN	1	41	0442387	DEAD HANDLE C.P.	1
12	01329181	GASKET	1	42-1	Z0666X20A	BOLT	4
13	0132918	PLATE	1	43	0132934	FRONT RUBBER PROTECTOR	1
14	Z0685X10	SCREW	4	44	0132940	REAR RUBBER PROTECTOR	1
15	0114194	KNOCK SPRING	1	45	Z0668X38A	BOLT	4
16	Z0104D	STEEL BALL	1	46	Z0968X1	WASHER	4
17	Z0848X10	SCREW	1	47	Z0668X25A	BOLT	4
17-1	Z040P8	O-RING	1	48	Z0918	LOCK NUT	4
18	0132916	REVERSE VALVE	1	49	0545029	BUSHING	1
18-1	Z041S18	O-RING	1	50	Z01742556	OIL SEAL	1
19	Z03121	RETAINER	1	51	Z0886X8	SCREW	1
20	0132915	REVERSE LEVER	1	52	Z040P6	O-RING	1
21	Z0674X12	SCREW	1	53	Z0804X12	TAPPING SCREW	2
22	0545181	MOTOR CASE C.P.	1				
22-1	0132991	KNOCK SPRING	1	<b>PARTS FOR INSIDE TRIGGER HANDLE</b>			
22-2	Z0106D	STEEL BALL	1	6A	Z040P28J	O-RING	1
23	0132906	MOTOR GASKET	1	44-1	0442340	REAR RUBBER PROTECTOR	1
24	Z0016204	BEARING	1	44-2	Z0804X12	SCREW	2
25	0132924	REAR END PLATE	1	53A	0132980nisf	HANDLE C.P.(NPT)Front Exhaust	1
25-1	Z0564X10	SPRING PIN	1	53B	0132980isf	HANDLE C.P.(PT)Front Exhaust	1
26	0545021	ROTOR	1	54	0345417	THROTTLE LEVER	1
27	0545022	ROTOR BLADE	6	55	0132911i	THROTTLE VALVE PIN	1
28	0439020	CYLINDER	1	56A	0132919nis	INLET BUSHING(NPT)	1
28-1	Z0565X8	PIN	2	56B	0132919is	INLET BUSHING(PT)	1
29	0545023	FRONT END PLATE	1	59	Z0614X28	PIN	1
30	Z0016206Z	BEARING	1	60	0132913	REGULATING VALVE	1
31	Z041S95	O-RING	1	9-1A	Z040P12	O-RING	1
32	0545026	HAMMER WHEEL	1				



**KUKEN CO., LTD.**

3-6-15 Nonoue, Habikino-shi, Osaka 583-0871, Japan

Tel : +81-72-953-3346 Fax : +81-72-953-0605